

Heavy Duty Two-Stage Propane Regulator Vertical Vent

- Mounts in-line between supply and motorhome LP gas lines to provide regulated gas pressure
- Inlet: 1/4" Female Pipe Thread / Outlet: 3/8" Female Pipe Thread
- Output: 11' w.c. and 160,000 BTU/hr (based on factory set points)

Installation Instructions:

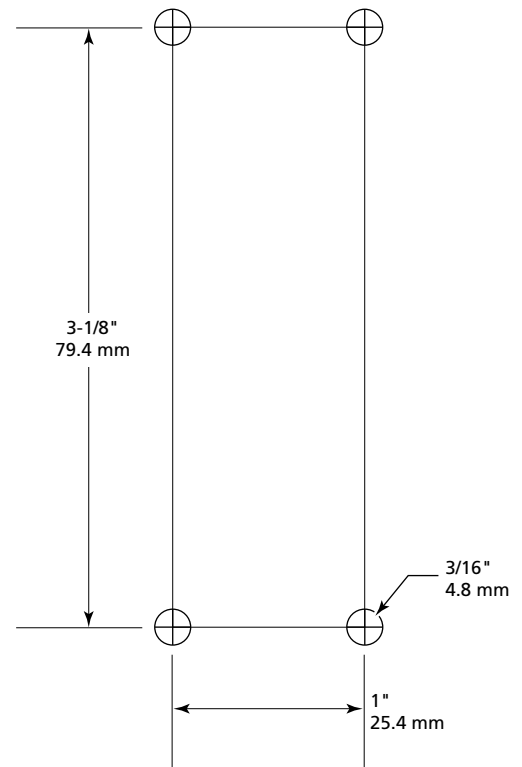
(Vent opening should always face downward.)

1. If needed, remove old regulator, destroy and discard.
2. A. **Travel Trailer installation:*** Attach new regulator to existing mounting bracket. If existing holes do not align with regulator, use the provided mounting template to drill new holes and attach the regulator with the screws included in the package (see back for template). Attach existing Pigtail end to the regulator's inlet (1/4" NPT) and the existing gas piping to the regulator's outlet (3/8" NPT).
B. **RV basement installation:*** Install POL with male pipe thread (1/4" NPT) to the regulator's inlet and then connect the regulator's outlet to the gas piping of the RV (Use Camco POL #59203, or purchase Camco Regulator #59333 with POL preinstalled). Connect the regulator to the cylinder's inlet by tightening the POL to the cylinder valve.
* **If existing Pigtail, gas piping or fittings have different threads from the regulator, new Pigtail or fittings will be required. Have a qualified gas technician perform if uncertain.**
3. Verify and make sure the regulator is installed with the regulator's vent facing downward to prevent rain and other elements from entering the regulator's vent.
4. Check each joint and connection for gas leaks with Camco's Gas Leak Detector (10324, 10325, 10322).

Never use a flame to check for leaks.

Important Safety Information:

- Regulator shall be installed in accordance with the federal, state and local codes/standards and be utilized for intended use.
- It is the responsibility of the installer or end user to be aware of and in compliance with all the applicable standards, codes of practice, regulations and laws.
- Always destroy a damaged or worn regulator so it can not be reused.
- This regulator must be routinely inspected and replaced after 10 years of use. If used in extreme heat, cold or other severe environmental conditions inspection and replacement may be needed sooner.
- **Never** connect or disconnect hose near open flame or other ignition source.
- **Inspect** connection ends and hose prior to each use. Keep connection ends clean and free from debris.
- **Never use if connection end(s) or hose is damaged.**
- **Always** keep propane tank(s) outdoors, never inside house, camper or tent.
- **Check** all connections for leaks with Camco's Gas Leak Detector (10324, 10325, 10322). **NEVER use a flame to check for leaks.**



Camco Manufacturing, Inc.
121 Landmark Dr. / Greensboro, NC 27409
1-800-334-2004 / www.camco.net

z885088

Our return policy is limited to the replacement of original purchase. No other liability, responsibility or warranty is expressed or implied, including any regarding merchantability or suitability for a particular purpose.